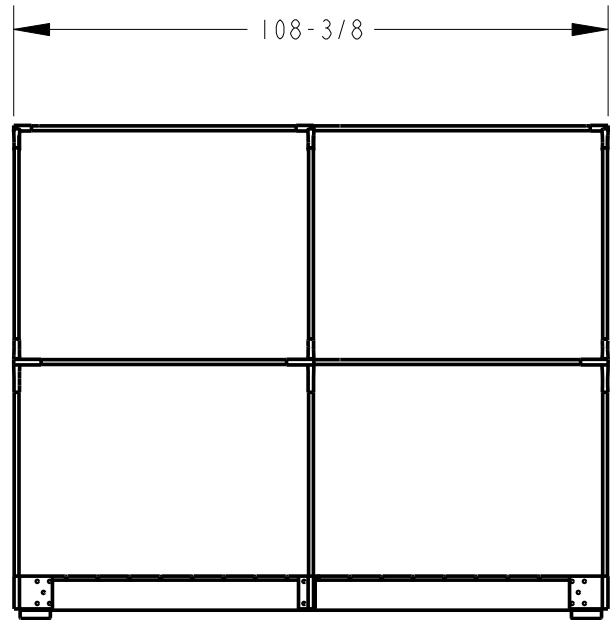
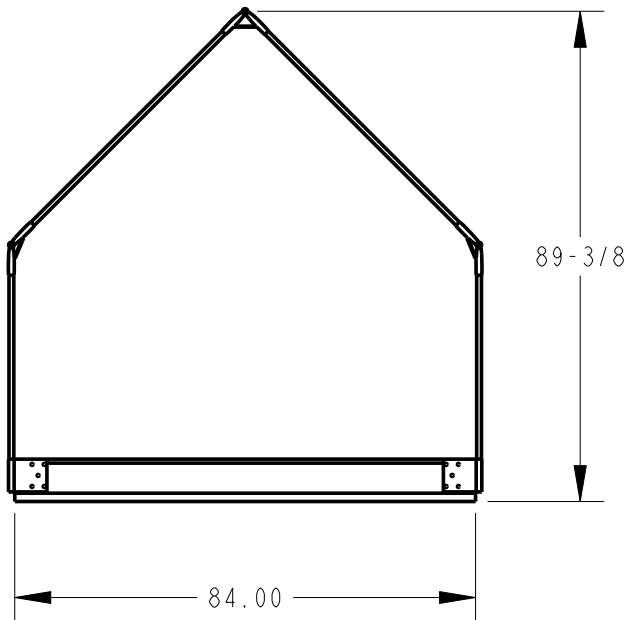
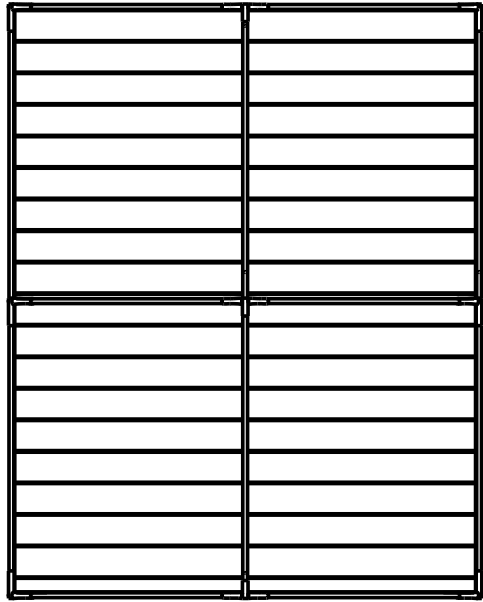

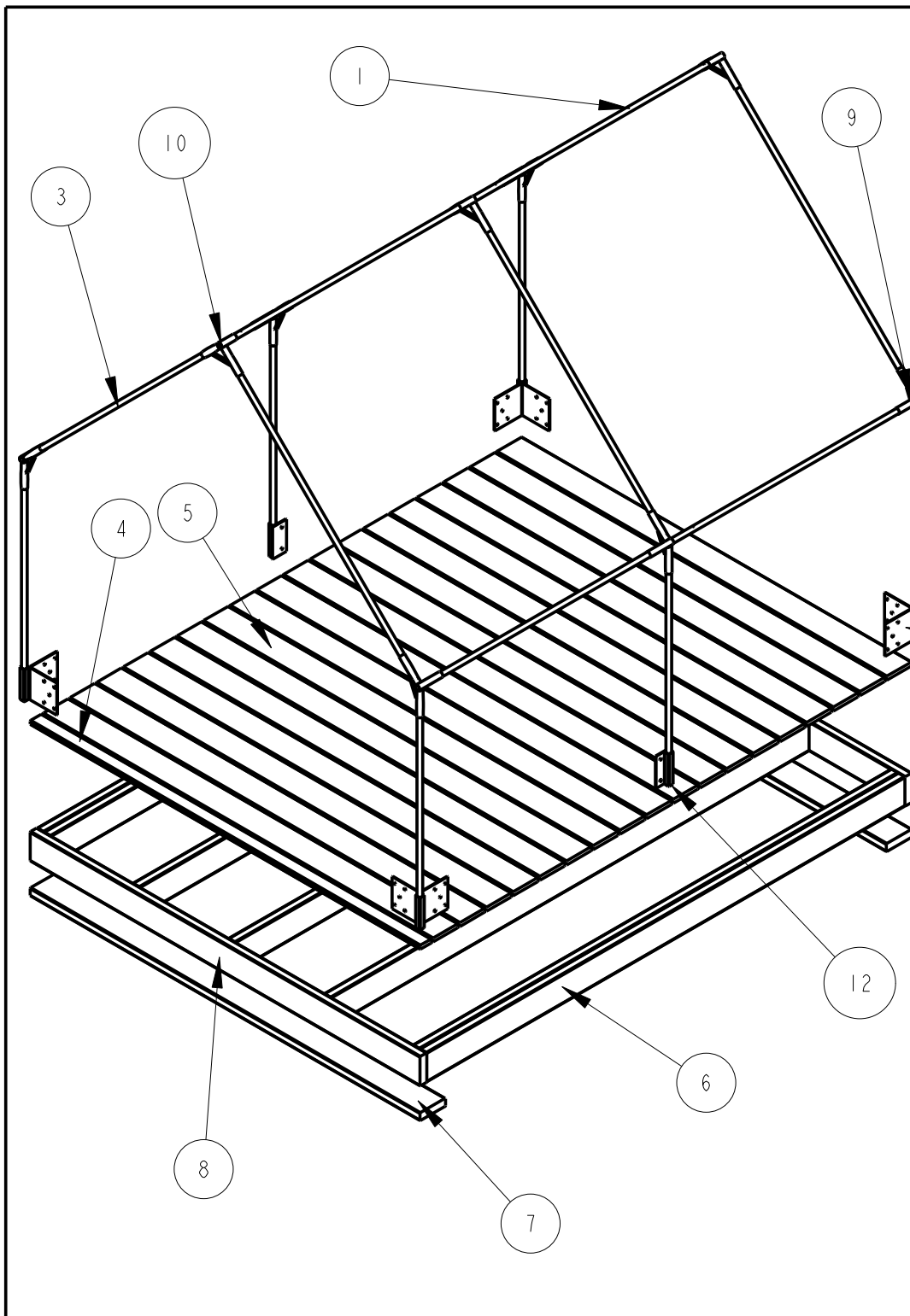
	Philmont Scout Ranch SMALL TENT PLATFORM	Title: TENT PLATFORM - SM	
		Tolerances: ± 0.25	
Drawn by: Ronald La Curan		N/A	Index: N/A
Date: 10/10/08	Scale: 1:20	Version: 1	Page 1 of 11



	Philmont Scout Ranch SMALL TENT PLATFORM		Title: TENT PLATFORM - SM Tolerances: ± 0.25	
	Drawn by: Ronald La Curan		N/A	Index: N/A
Date: 10/10/08	Scale: 1:35	Version: 1	Page 2 of 11	




Index	Part Name	Description	Qty
1	HORIZONTAL	.5"x106" Piping	3
2	UPRIGHT	.5"x43.75" Piping	6
3	DIAGONAL	.5"x52.75" Piping	6
4	PLATFORM_FLOOR_SMALL	1x3 Planed 84" Long	1
5	PLATFORM_FLOOR	1x6 Planed 84" Long	18
6	PLATFORM_FRAME_SIDE	2x6 Planed 103" Long	7
7	PLATFORM_FOOT	2x6 Planed 84" Long	2
8	PLATFORM_FRAME_FRONT	2x6 Planed 84" Long	2
9	CONNECTOR_CORNER	See Drawing	6
10	CONNECTOR_PEAK	See Drawing	3
11	CORNER_BRACKET	See Drawing	4
12	MIDDLE_BRACKET	See Drawing	2

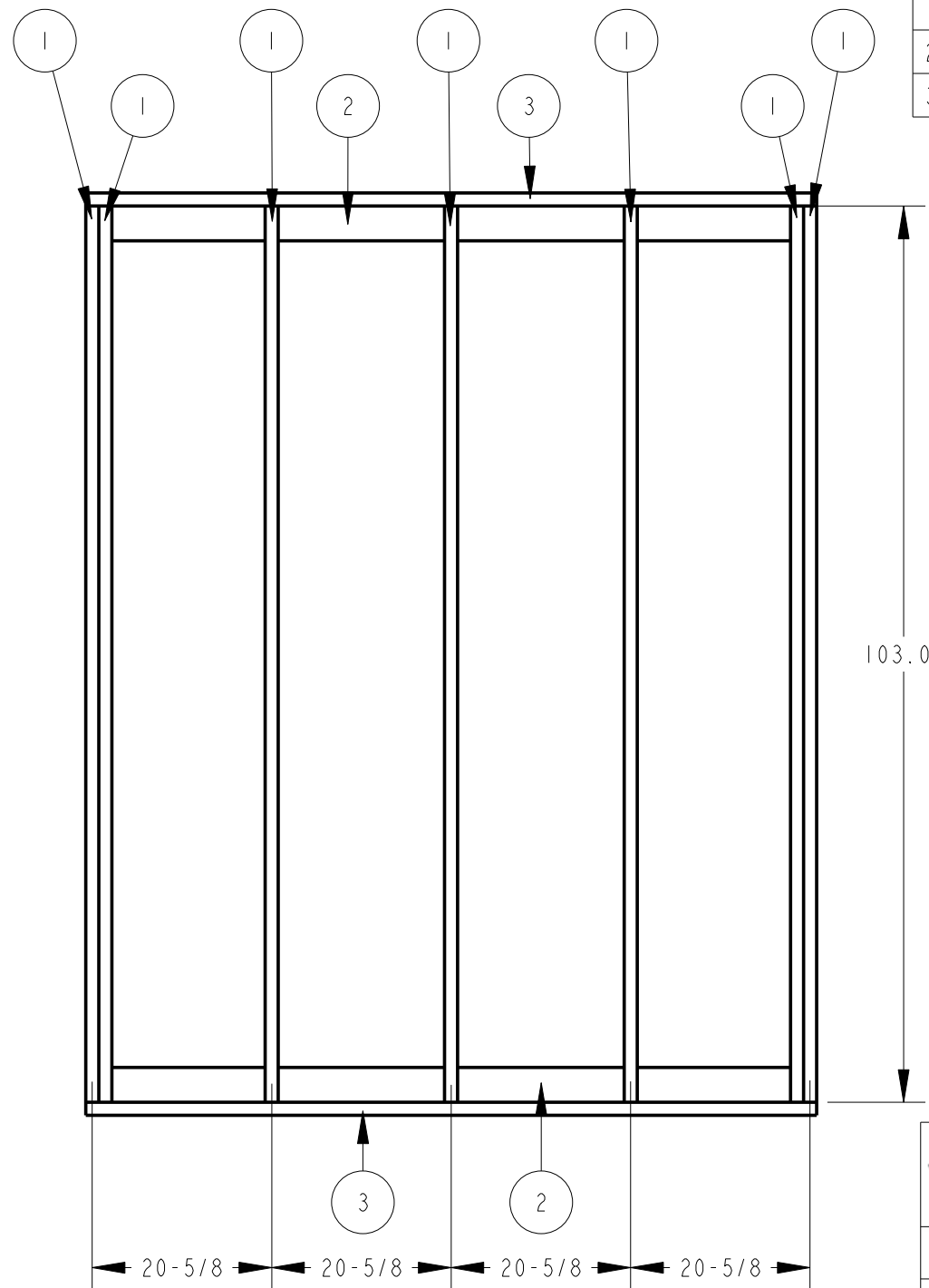
NOTE: All piping is composed of 0.5" galvanized steel water pipe. All wood used in the construction of the frame is of SPF composition.

NOTE: Brackets and Connectors may be purchased from:

Sturdy Flagstand and Barricade MFG
 5151W Fairmont
 Fresno, CA
 PHONE: 557-276-7205

	Philmont Scout Ranch SMALL TENT PLATFORM		Title: PLATFORM EXPLODE	
			Tolerances: ±0.25	
Drawn by: Ronald La Curan		N/A	Index: N/A	
Date: 10/10/08	Scale: 1:25	Version: 1	Page 3 of 11	


Index	Part Name	Description	Qty
1	PLATFORM_FRAME_SIDE	2x6 Planed 103" Long	7
2	PLATFORM_FOOT	2x6 Planed 84" Long	2
3	PLATFORM_FRAME_FRONT	2x6 Planed 84" Long	2



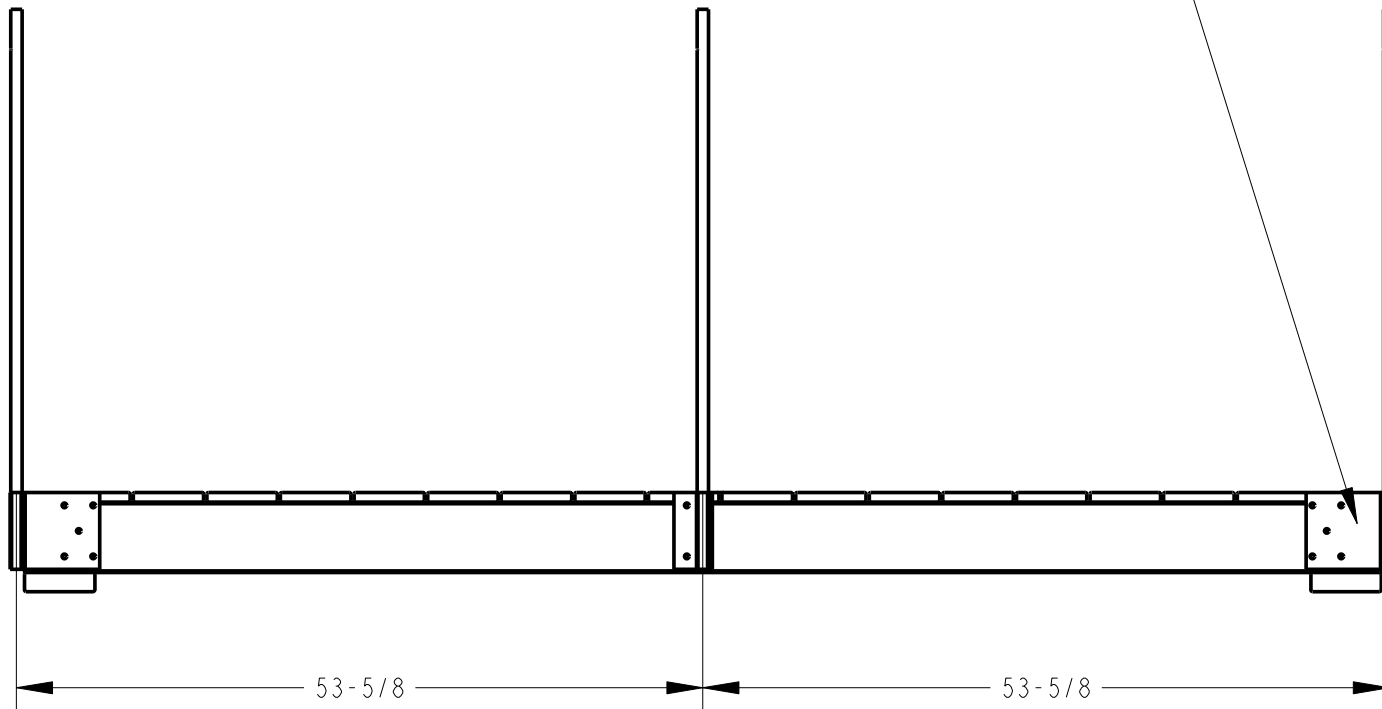
NOTE: On both the left and right sides of the platform the Frame_Side pieces are doubled up.


NOTE: PLATFORM_FOOT pieces are attached at the front and the rear of the tent platform.

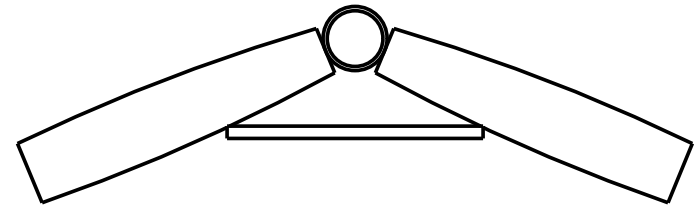
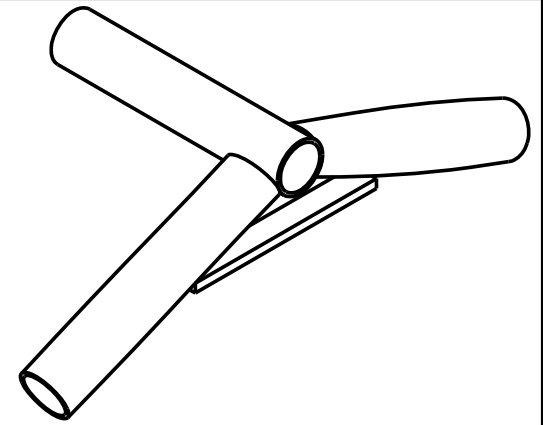
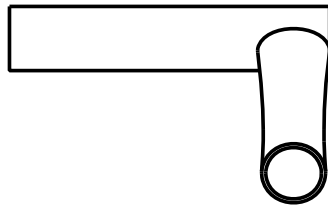
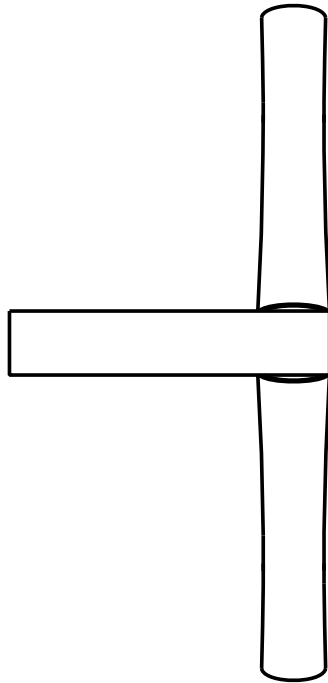
NOTE: PLATFORM_FLOOR should be have 0.25" spacing between each of the planks and the PLATFORM_FLOOR_SM should be located at the front of the tent platform and likewise spaced 0.25".


	Philmont Scout Ranch		Title: TENT PLATFORM - SM	
	SMALL TENT PLATFORM		Tolerances: ±0.25	
Drawn by: Ronald La Curan		SPF	Index: N/A	
Date: 10/10/08	Scale: 1:20	Version: 1	Page 4 of 11	

Corner brackets attach at the corner and the tops are flush with the top of the floor slats.

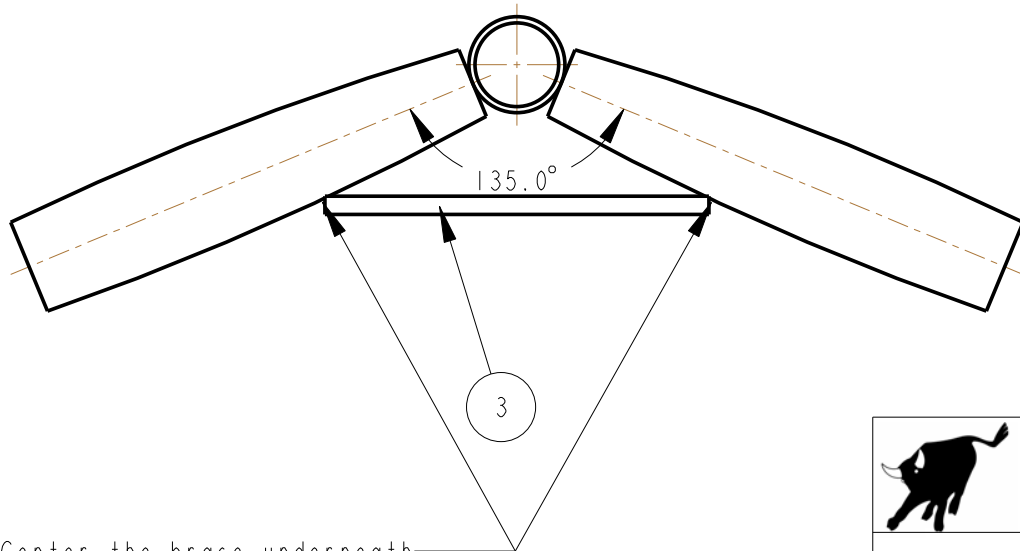
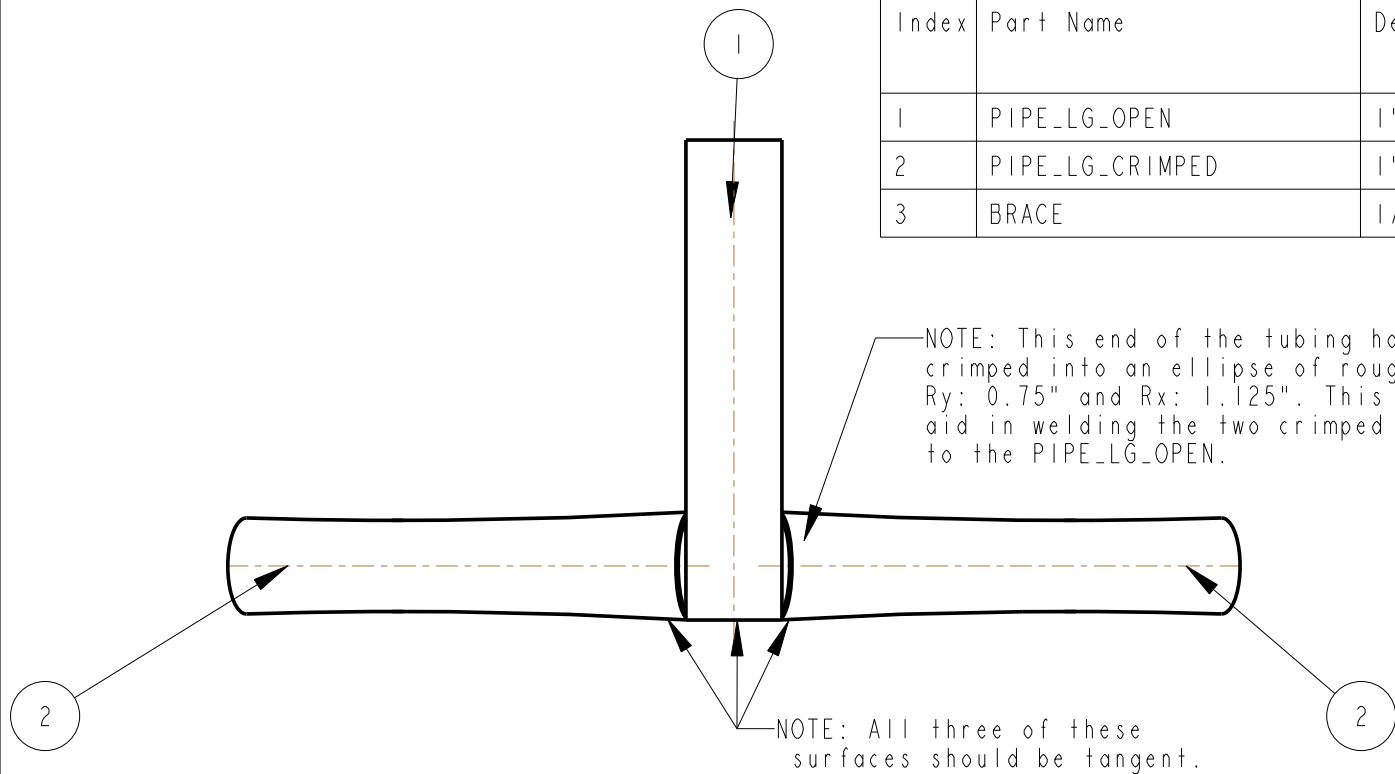


	Philmont Scout Ranch		Title: PLACEMENT OF BRACKETS	
	SMALL TENT PLATFORM		Tolerances: ± 0.25	
Drawn by: Ronald La Curan		N/A	Index: N/A	
Date: 10/10/08	Scale: 1:15	Version: 1	Page 5 of 11	




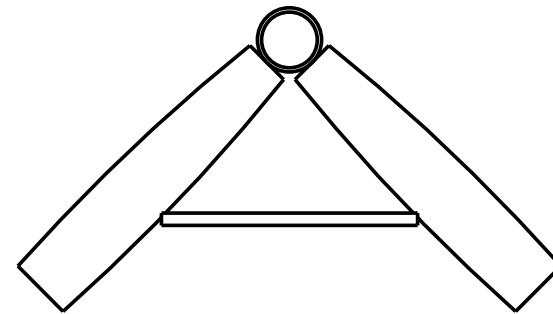
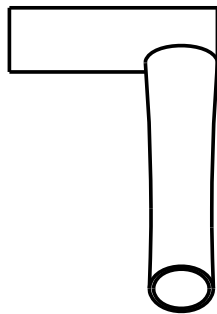
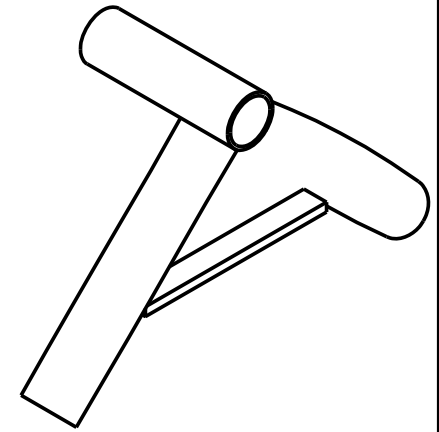
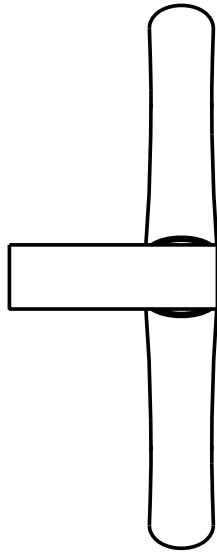
	Philmont Scout Ranch SMALL TENT PLATFORM	Title: CONNECTOR_CORNER	
		Tolerances: ± 0.25	
Drawn by: Ronald La Curan	Steel Tubing	Index: 9	
Date: 10/10/08	Scale: 1:3	Version: 1	Page 6 of 11


Index	Part Name	Description	Qty
1	PIPE_LG_OPEN	1"OD, 0.87" ID, 5" Long Steel Tubing	1
2	PIPE_LG_CRIMPED	1"OD, 0.87" ID, 5" Long Steel Tubing	2
3	BRACE	1/2"x3/16" Steel Bar 4" Long	1



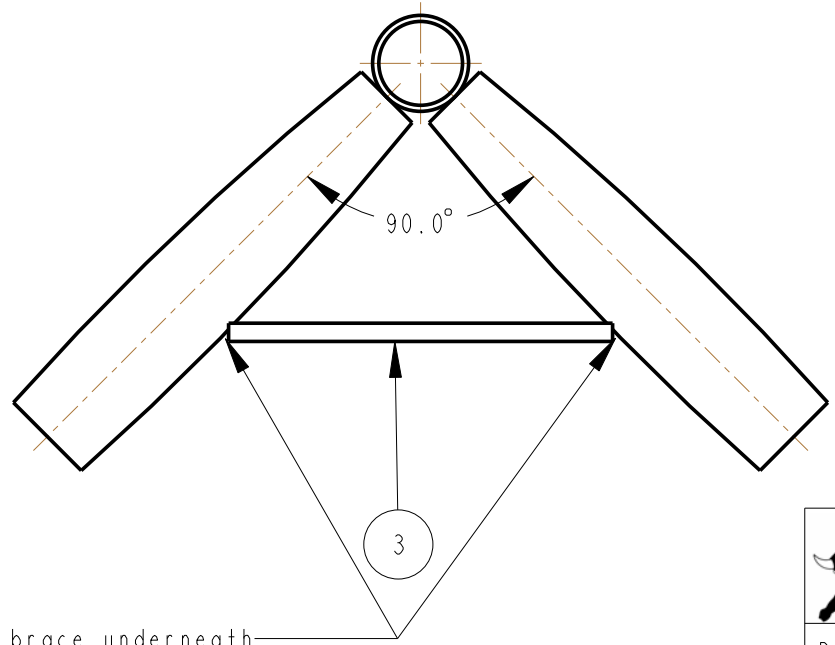
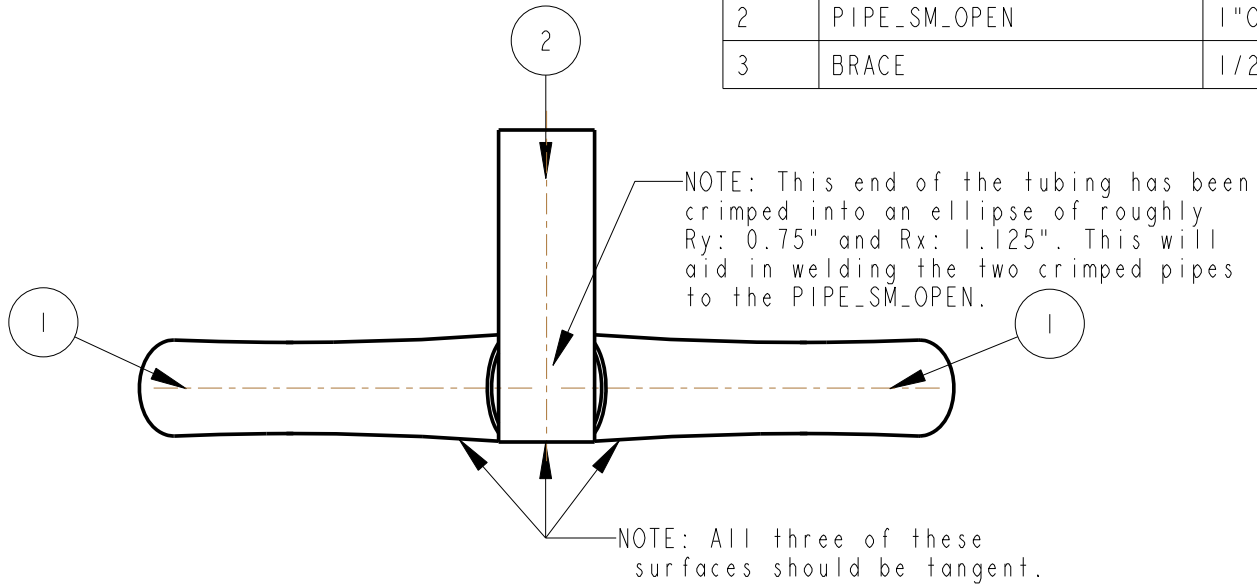
NOTE: Center the brace underneath the structure and then attach welds at these two points.


	Philmont Scout Ranch		Title: CONNECTOR_CORNER	
	SMALL TENT PLATFORM		Tolerances: ±0.25	
Drawn by: Ronald La Curan		Steel Tubing	Index: 9	
Date: 10/10/08	Scale: 1:2	Version: 1	Page 7 of 11	

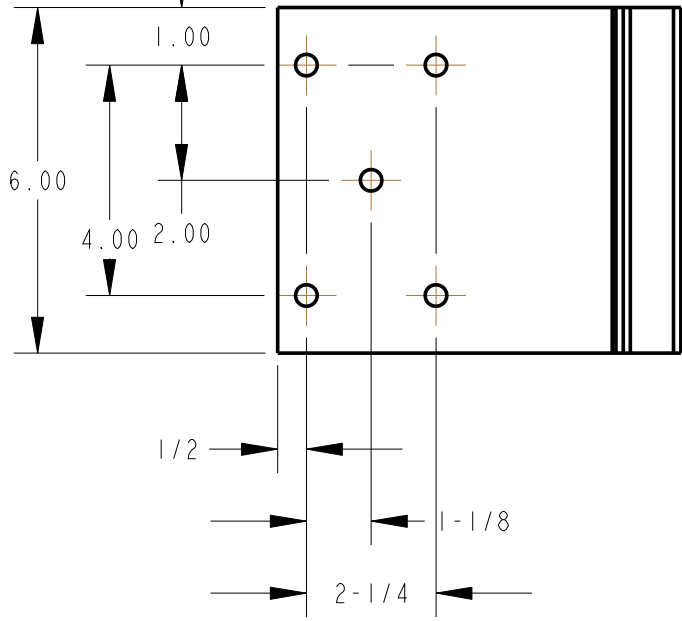
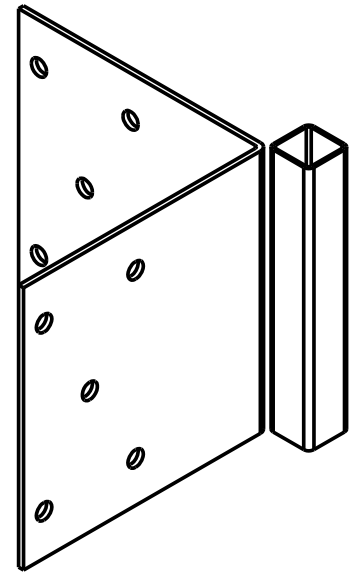
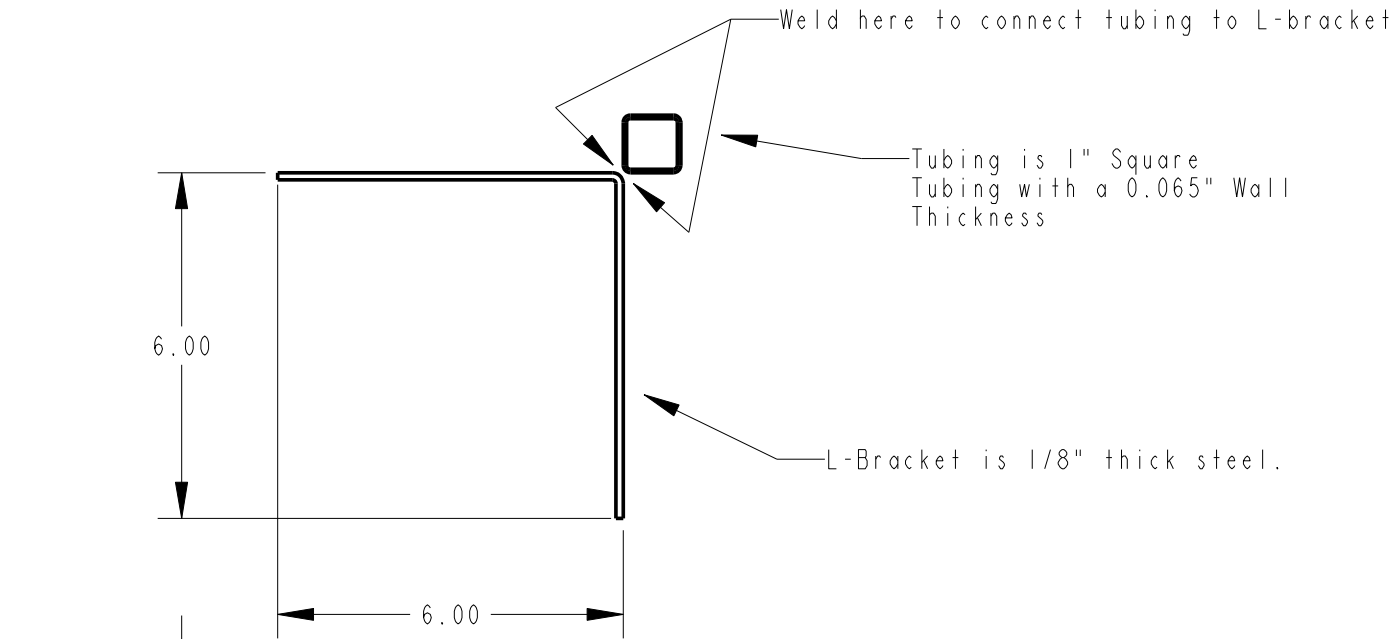



	Philmont Scout Ranch	Title: CONNECTOR_PEAK	
	SMALL TENT PLATFORM	Tolerances: ± 0.25	
Drawn by: Ronald La Curan	Steel Tubing	Index: 10	
Date: 10/10/08	Scale: 1:3	Version: 1	Page 8 of 11

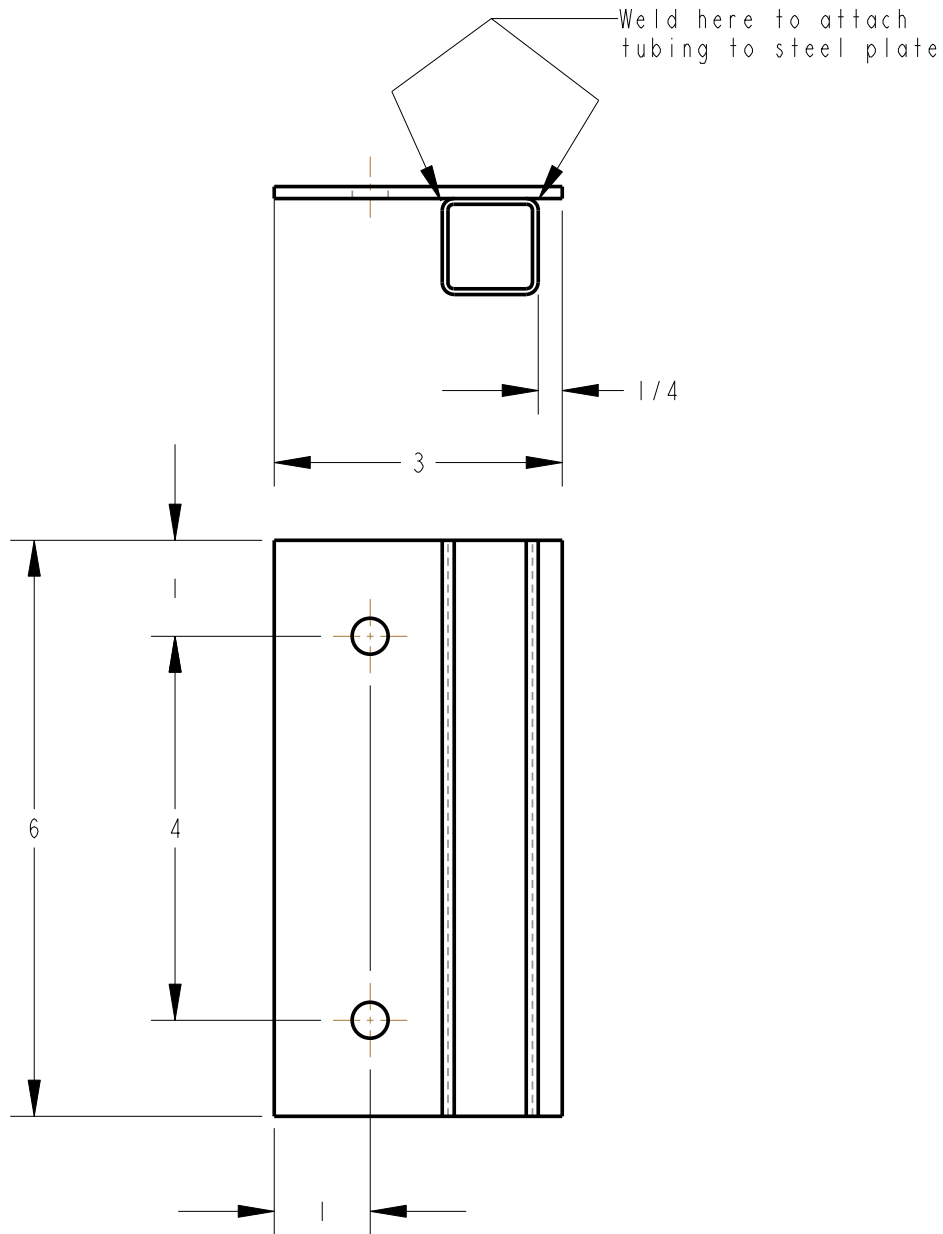
Index	Part Name	Description	Qty
1	PIPE_LG_CRIMPED	1"OD, 0.87" ID. 5" Long Steel Tubing	2
2	PIPE_SM_OPEN	1"OD, 0.87" ID, 3" Long Steel Tubing	1
3	BRACE	1/2"x3/16" Steel Bar 4" Long	1



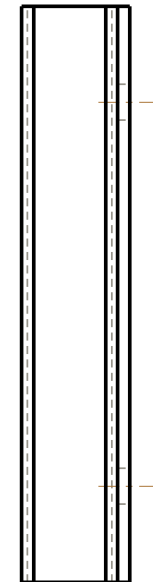
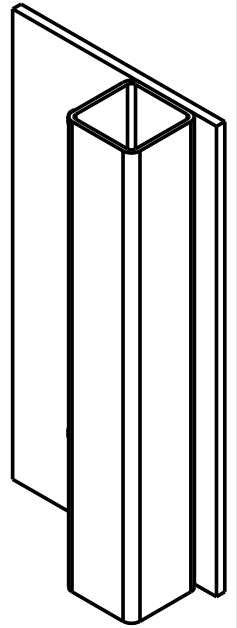
 Philmont Scout Ranch SMALL TENT PLATFORM	Title: CONNECTOR_PEAK	
	Tolerances: ±0.25	
Drawn by: Ronald La Curan	Steel Tubing	Index: 10
Date: 10/10/08	Scale: 1:2	Version: 1
		Page 9 of 11




	Philmont Scout Ranch SMALL TENT PLATFORM		Title: CORNER_BRACKET	
			Tolerances: ± 0.25	
Drawn by: Ronald La Curan		Steel	Index: 11	
Date: 10/10/08	Scale: 1:3	Version: 1	Page 10 of 11	



NOTE: This part is composed of 1" Square Tubing with 0.065" Wall Thickness welded to a 1/8" thick steel plate



	Philmont Scout Ranch SMALL TENT PLATFORM		Title: MIDDLE_BRACKET	
			Tolerances: ± 0.25	
Drawn by: Ronald La Curan		Steel	Index: 12	
Date: 10/10/08	Scale: 1:2	Version: 1	Page 11 of 11	

Sm Tent Platform Lumber Requirements and Cost Estimate

The following list is provided as an estimate of the required lumber to build one Sm. Tent Platform:

	6'	8'	10'	12'	14'	16'
6x6						
4x4						
2x12						
2x10						
2x8						
2x6			7		2	
2x4						
2x2						
1x12						
1x10						
1x8						
1x6					10	
1x4						
1x2						

*In addition to this list, 9-10ft long sections of galvanized steel piping will need to be purchased to create the frame and 1-10ft section of 1" galvanized steel piping will need to be purchased to make the frame fittings.

This list was produced using hand calculations to optimize the cuts of wood required to create the pieces of the structure (i.e. find out the least amount of lumber needed to create all of the pieces).

The price listed below reflects current market values for RBS True Value Building Materials, INC in Northern New Mexico and Home Depot online and is given only as an estimate. Prices will vary both by location and random market fluctuations. Using pricing provided by RBS and www.homedepot.com, the cost of a Large Tent Platform was estimated to be **\$310.31**

Date: October 20, 2008