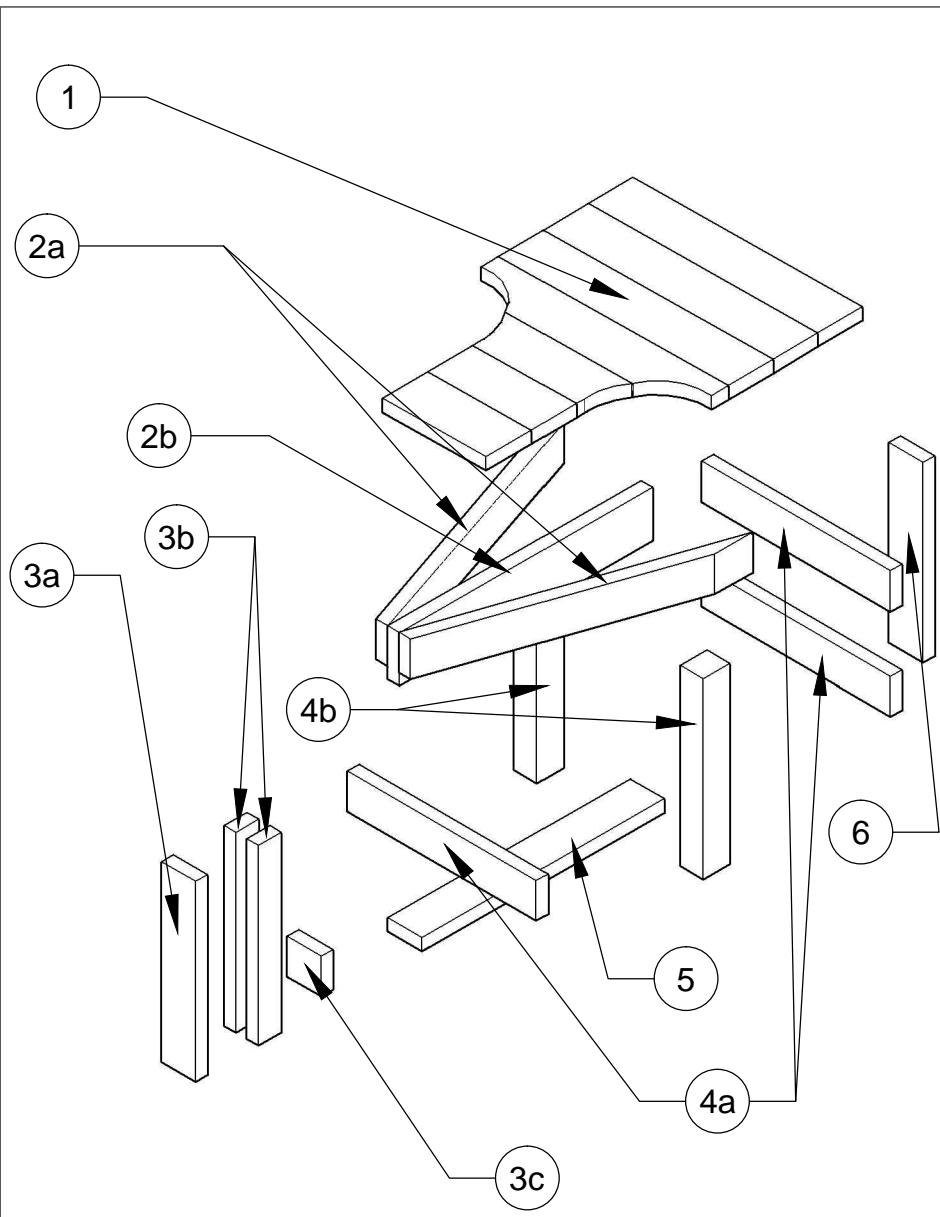

	Philmont Scout Ranch	Title: Design	
	Rifle Range Sighting Bench		
Drawn by: Timothy Freeman		Wood: SPF	
Date: 4/10/2013	Scale: NTS	Version: 3	Page: 1 of 16

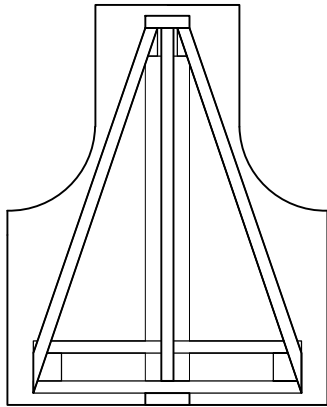
Wood Index	Part Name	Description	Length	Qty
1	Table Top	2x8 SPF Treated Wood	See P.16	7
2a	Table Top Middle Joist	2x6 SPF Treated Wood	±48"	2
2b	Table Top Outer Joist	2x8 SPF Treated Wood	±44"	1
3a	Rear Legs Support	2x6 SPF Treated Wood	30 <sup>1</sup> / <sub>2</sub> "	1
3b	Rear Legs	2x4 SPF Treated Wood	30 <sup>1</sup> / <sub>2</sub> "	2
3c	Rear Legs Anchor	2x6 SPF Treated Wood	5 <sup>1</sup> / <sub>2</sub> "	1
4a	Front Leg Cross Beams	2x6 SPF Treated Wood	33 <sup>1</sup> / <sub>2</sub> "	3
4b	Front Legs	4x4 SPF Treated Wood	30 <sup>1</sup> / <sub>2</sub> "	2
5	Floor Anchor	2x6 SPF Treated Wood	±42"	1
6	Front Support	2x6 SPF Treated Wood	30 <sup>1</sup> / <sub>2</sub> "	1

Fastener and Coating Index	Part Name	Description	Quantity
1	Screws	3" Exterior Wood Screws	± 110
2	Wood Treatment	Exterior Oil Base Penetrating Natural Wood Finish	± 1 gallon

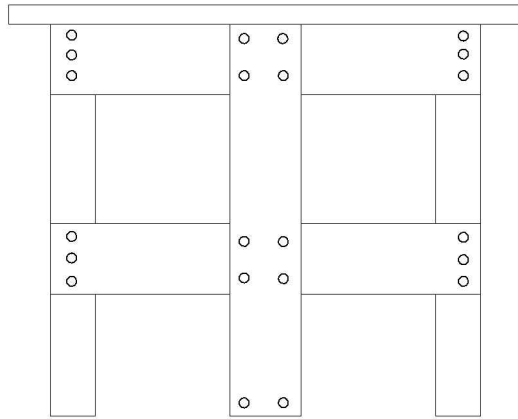
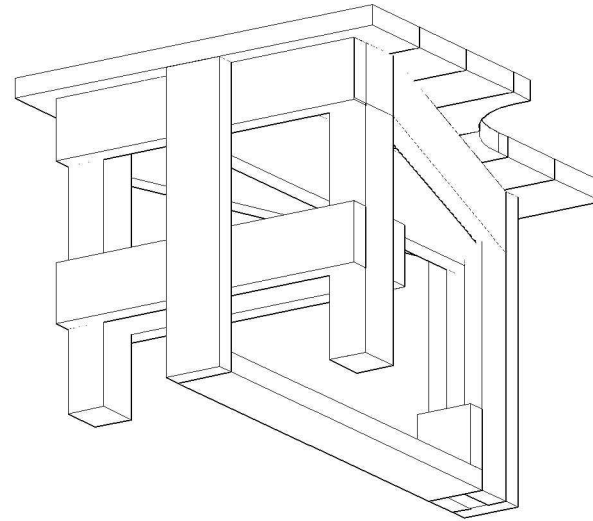


	Philmont Scout Ranch	Title: Material List	
	<b>Rifle Range Sighting Bench</b>		
Drawn by: Timothy Freeman		Wood: SPF	
Date: 4/10/2013	Scale: NTS	Version: 3	Page: 2 of 16

Top



Angled



Front



Right Side



Philmont Scout Ranch

Title: View Point

### Rifle Range Sighting Bench

Drawn by: Timothy Freeman

Wood: SPF

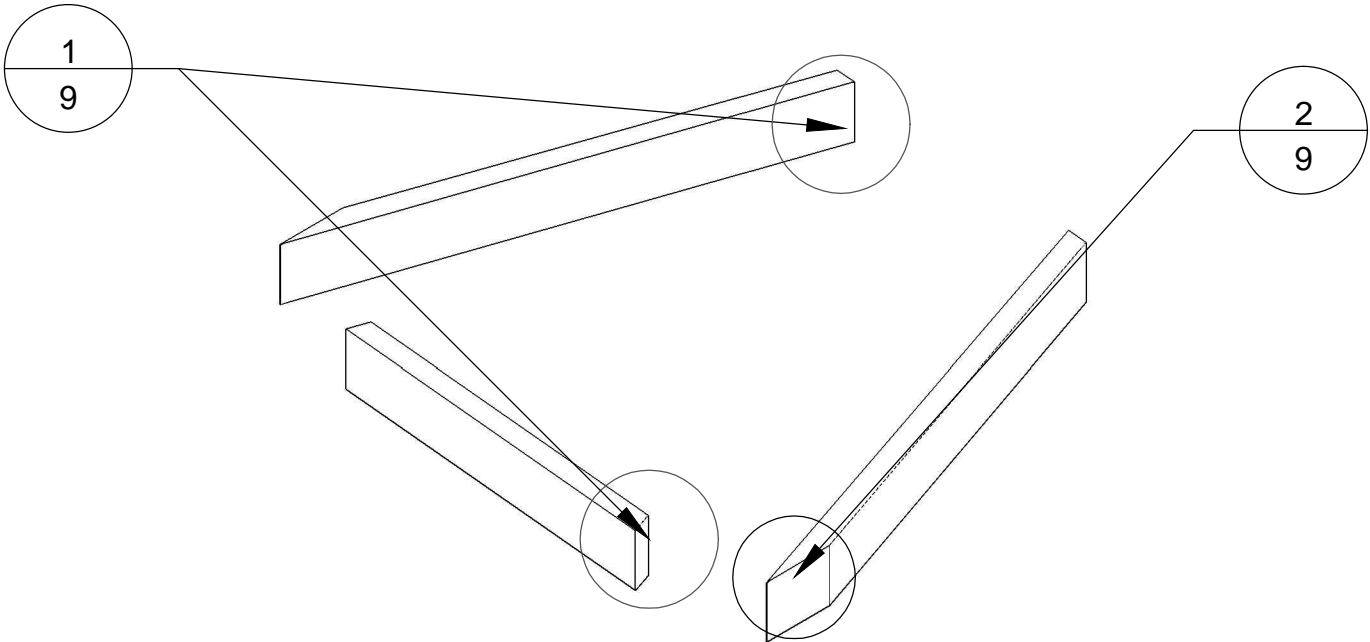
Date: 4/10/2013

Scale: NTS


Version: 3

Page: 3 of 16

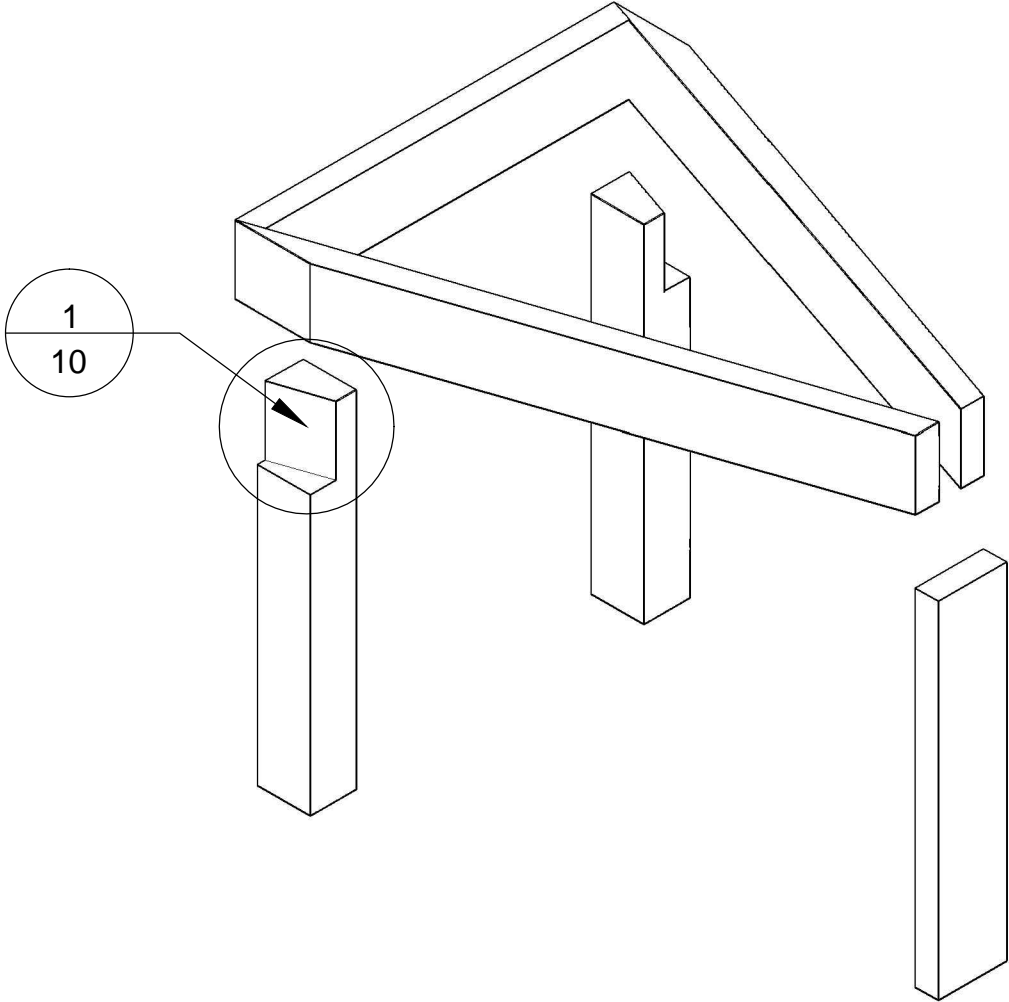
Begin by assembling joists and upper front leg support.




Note: Length of bench will depend on outer joist length, depending on adjustment, adjust all lateral pieces accordingly to outer joist length.

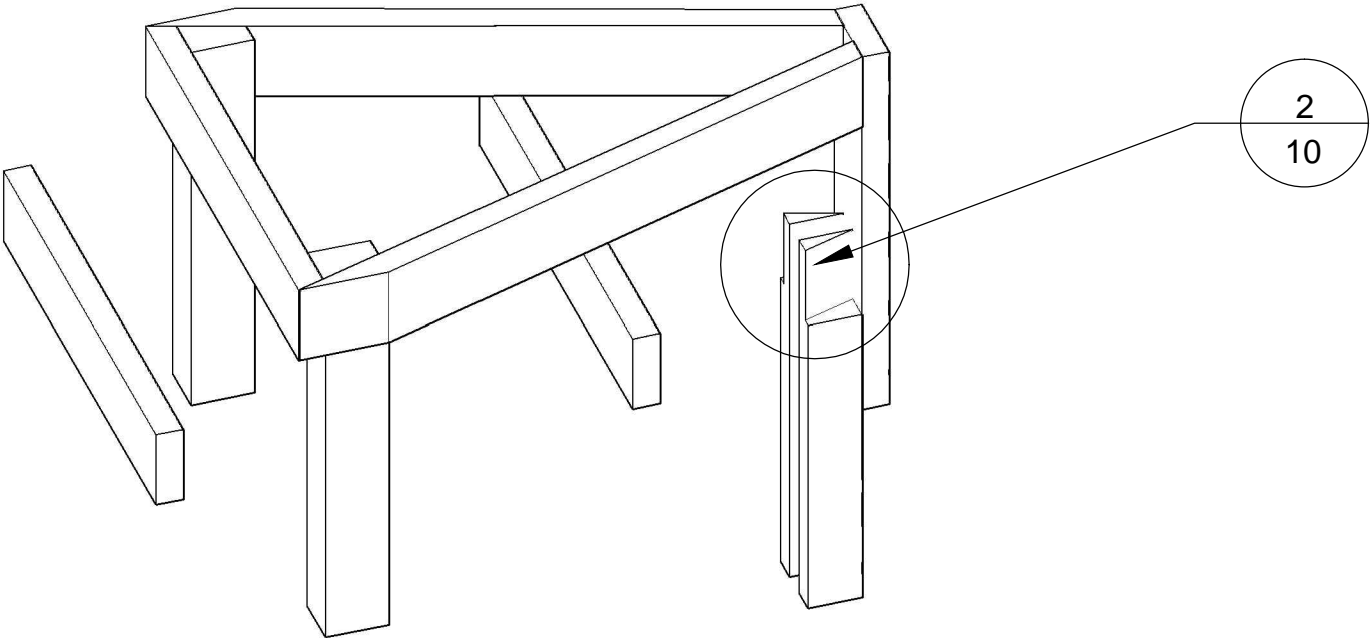
	Philmont Scout Ranch	Title: Architecture 1	
	<b>Rifle Range Sighting Bench</b>		
Drawn by: Timothy Freeman		Wood: SPF	
Date: 4/10/2013	Scale: NTS	Version: 3	Page: 4 of 16


Add 4x4 front legs and 2x6 rear leg



	Philmont Scout Ranch	Title: Architecture 2	
	Rifle Range Sighting Bench		
Drawn by: Timothy Freeman		Wood: SPF	
Date: 4/10/2013	Scale: NTS	Version: 3	Page: 5 of 16

Attach remaining 2x6 front legs  
support cross beams as well as  
remaining rear leg 2x4s



	Philmont Scout Ranch	Title: Architecture 3	
	<h2>Rifle Range Sighting Bench</h2>		
Drawn by: Timothy Freeman		Wood: SPF	
Date: 4/10/2013	Scale: NTS	Version: 3	Page: 6 of 16

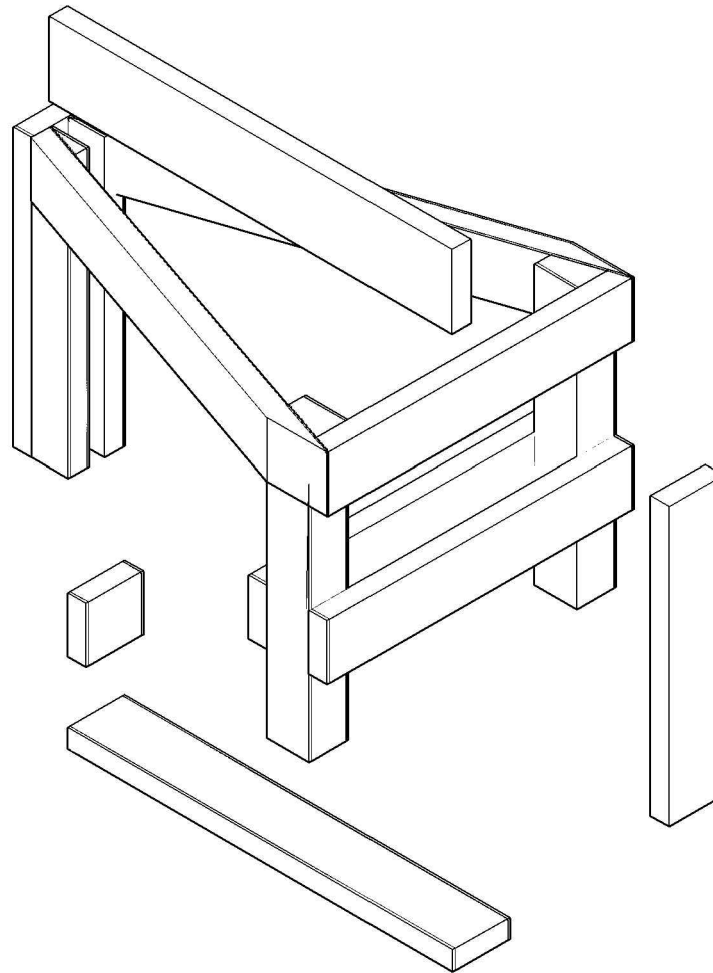
Add 2x6 lateral floor anchor, 2x6 front vertical support, and 2x6 rear legs anchor . Be sure to fasten vertical floor and rear leg anchor to lateral floor anchor. Then when anchor is attached to fasten assembly to rear legs.


Note: Adjust floor anchor length accordingly with table top joists

Add 2x8 center joist.

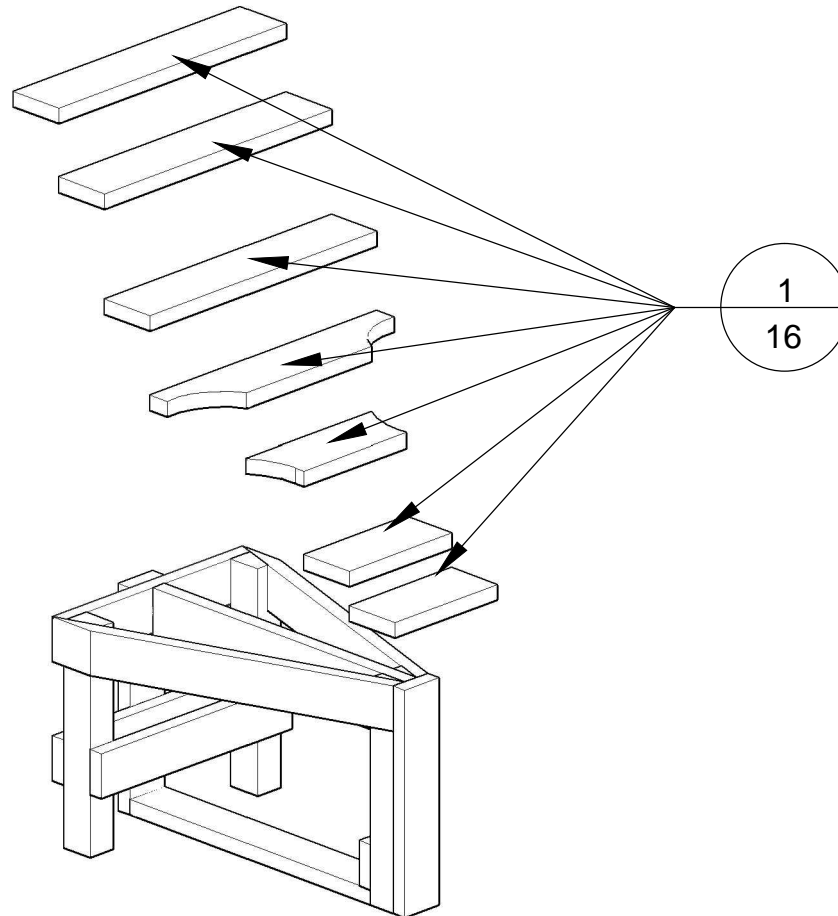
Note: Adjust table top center joist according to outter joist length


Add 2x6 front legs lateral support and drill into both front support cross beams



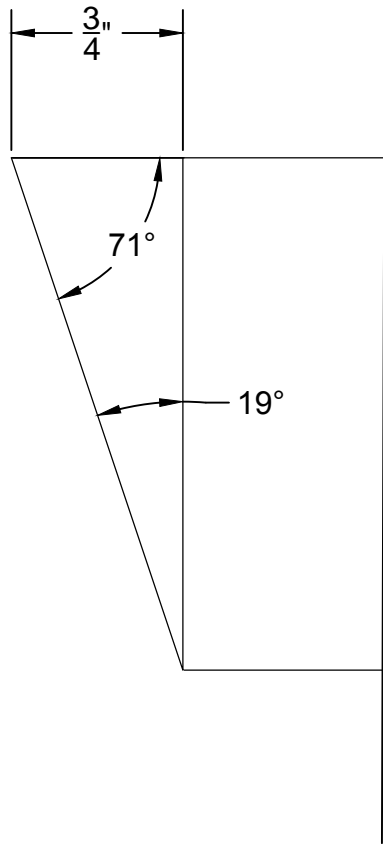
	Philmont Scout Ranch	Title: Architecture 4	
	<b>Rifle Range Sighting Bench</b>		
Drawn by: Timothy Freeman		Wood: SPF	
Date: 4/10/2013	Scale: NTS	Version: 3	Page: 7 of 16

Add each 2x8 individually,  
latching boards along front leg  
support cross beam, joists, and  
rear leg

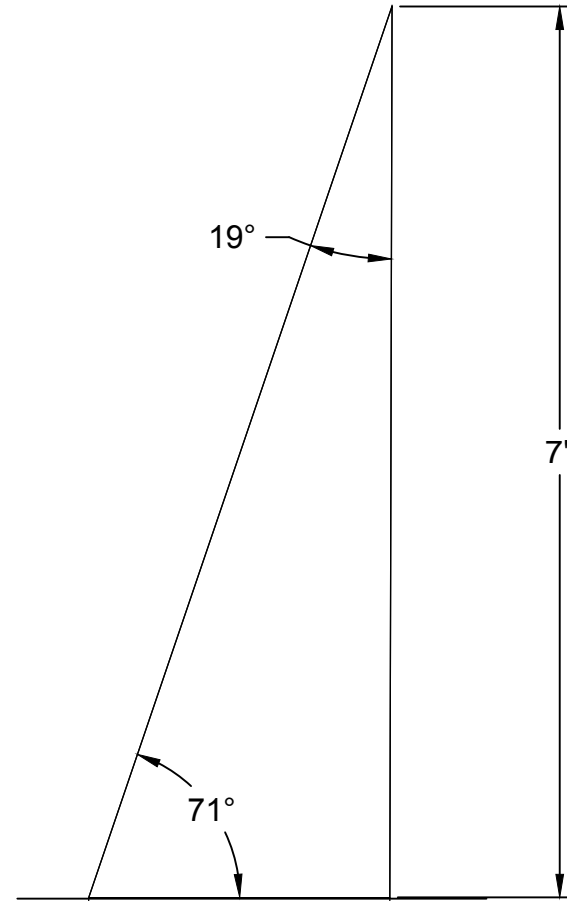


	Philmont Scout Ranch	Title: Architecture 5	
	<h2>Rifle Range Sighting Bench</h2>		
Drawn by: Timothy Freeman		Wood: SPF	
Date: 4/10/2013	Scale: NTS	Version: 3	Page: 8 of 16




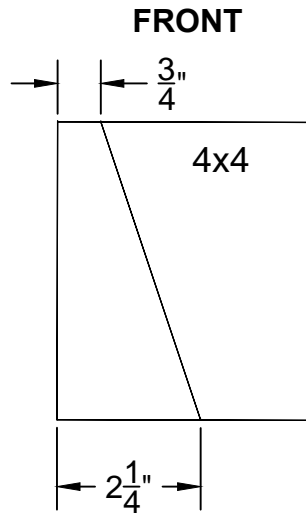


1



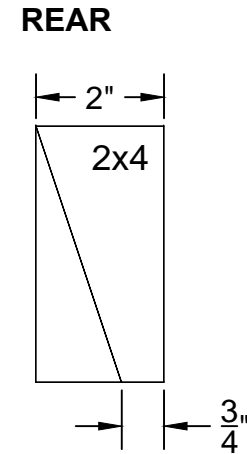
2

	Philmont Scout Ranch	Title: Specification 1	
	<b>Rifle Range Sighting Bench</b>		
Drawn by: Timothy Freeman		Wood: SPF	
Date: 4/10/2013	Scale: NTS	Version: 3	Page: 9 of 16




Depth of cut into 4x4 should be  $\pm 5\frac{3}{8}$ " to have 2x6 joist flush with top of 4x4

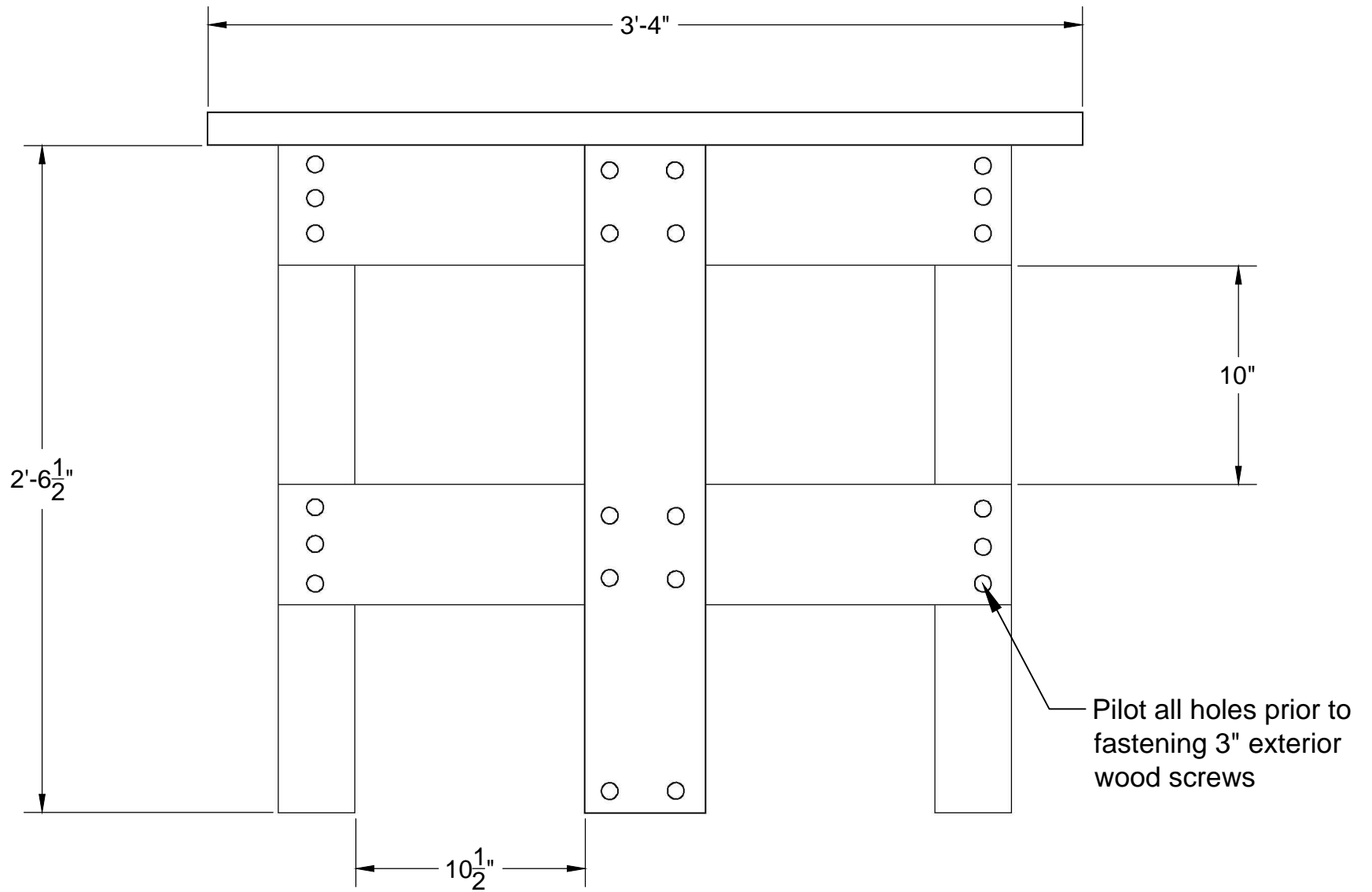
1




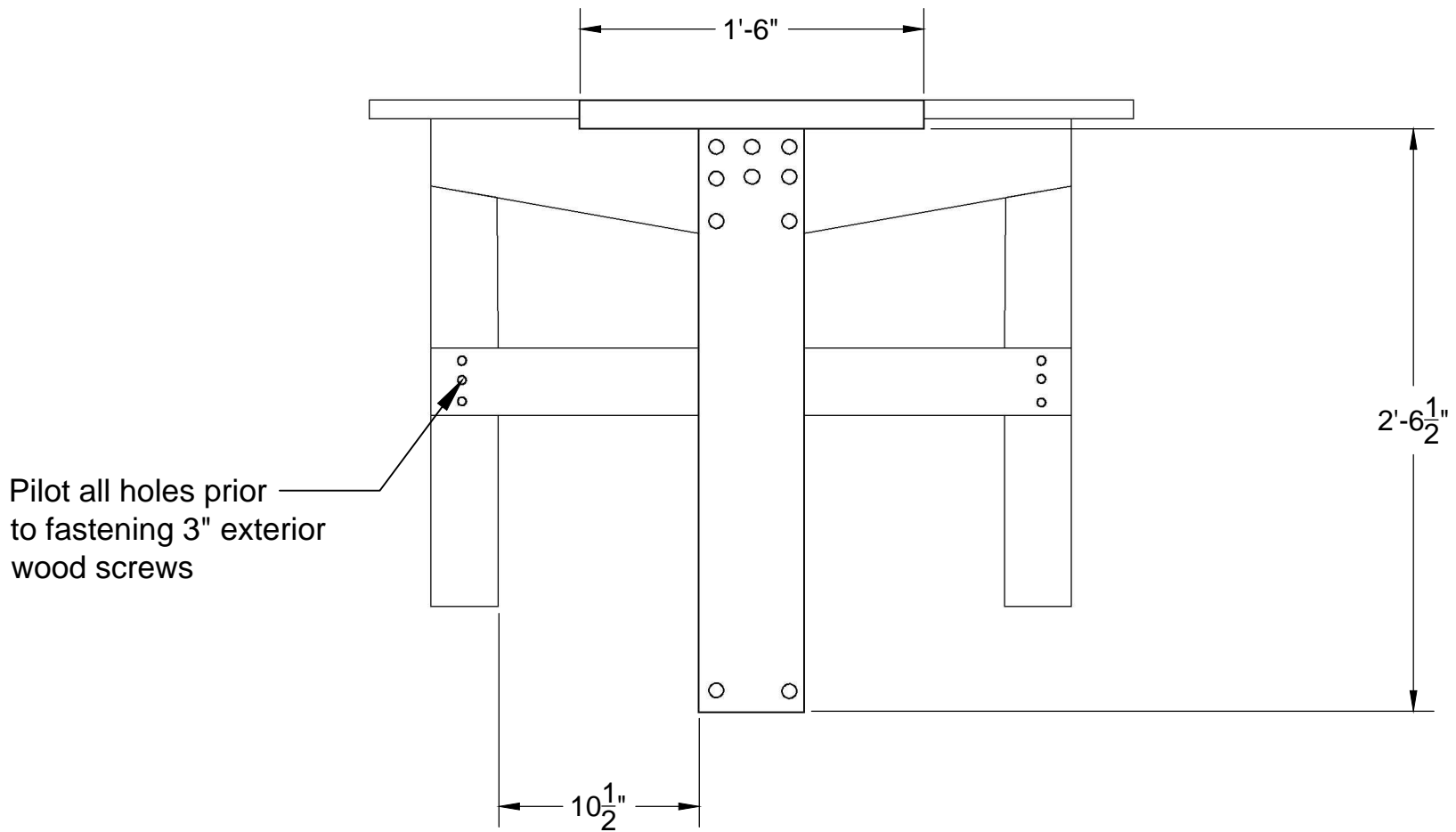
Depth of cut into 2x4 should be  $\pm 5\frac{3}{8}$ " to have 2x6 joist flush with top of 2x4


2

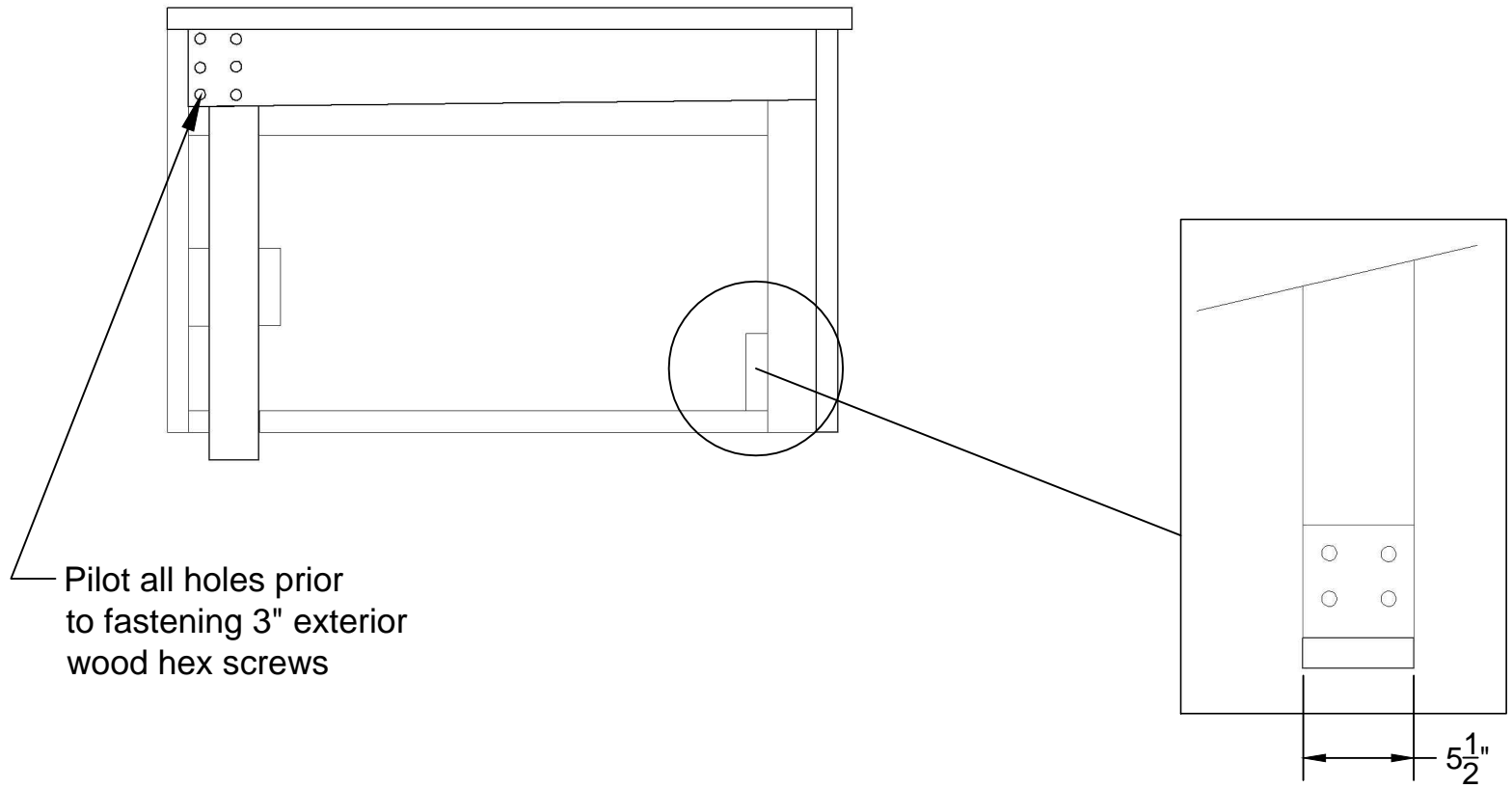
	Philmont Scout Ranch	Title: Specification 2	
	<b>Rifle Range Sighting Bench</b>		
Drawn by: Timothy Freeman		Wood: SPF	
Date: 4/10/2013	Scale: NTS	Version: 3	Page: 10 of 16



	Philmont Scout Ranch	Title: Front	
	<b>Rifle Range Sighting Bench</b>		
Drawn by: Timothy Freeman		Wood: SPF	
Date: 4/10/2013	Scale: NTS	Version: 3	Page :11 of 16



	Philmont Scout Ranch	Title: Rear	
	<b>Rifle Range Sighting Bench</b>		
Drawn by: Timothy Freeman		Wood: SPF	
Date: 4/10/2013	Scale: NTS	Version: 3	Page :12 of 16



Philmont Scout Ranch

Title: Side

# Rifle Range Sighting Bench

Drawn by: Timothy Freeman

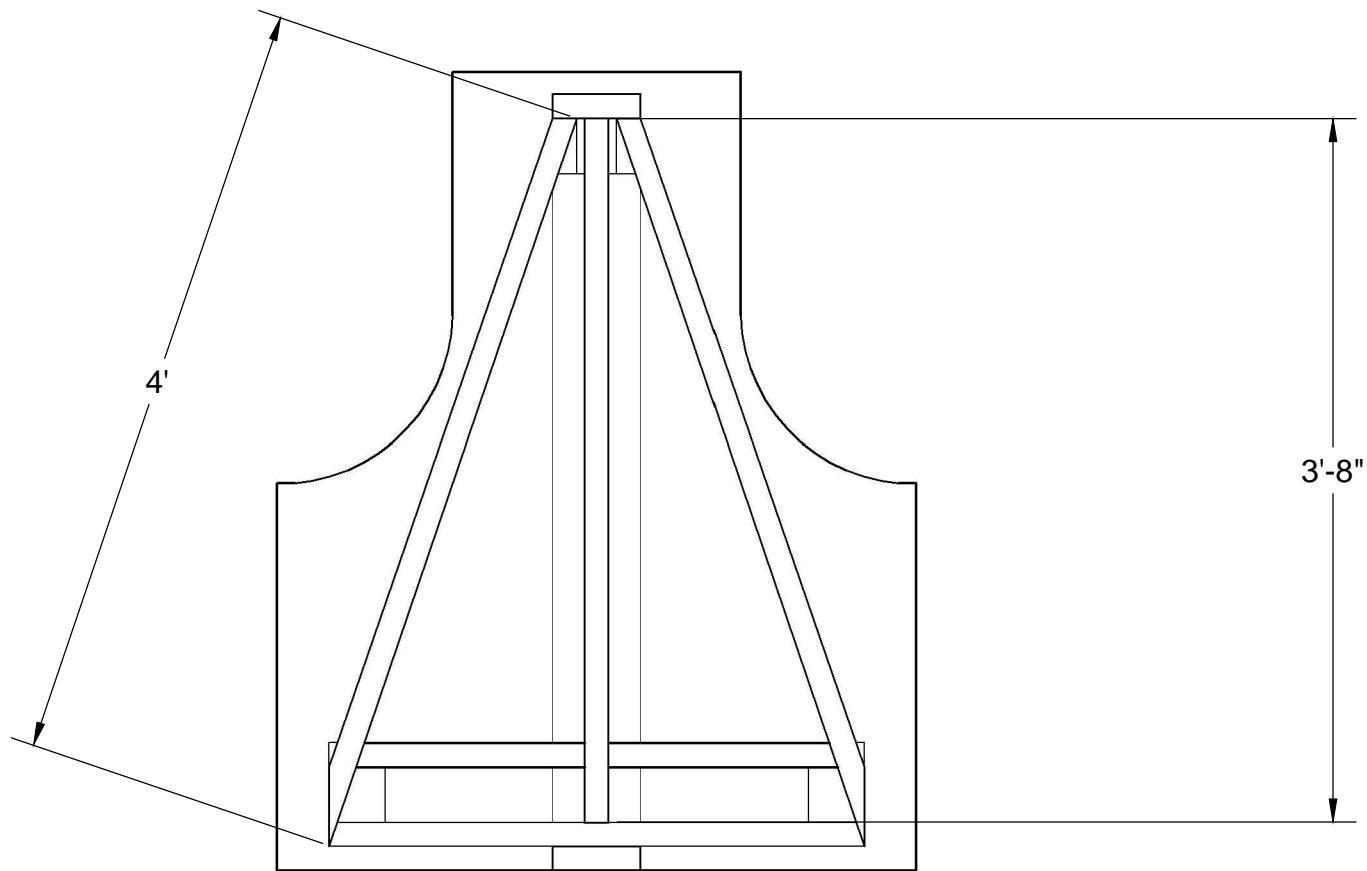
Wood: SPF


Date: 4/10/2013

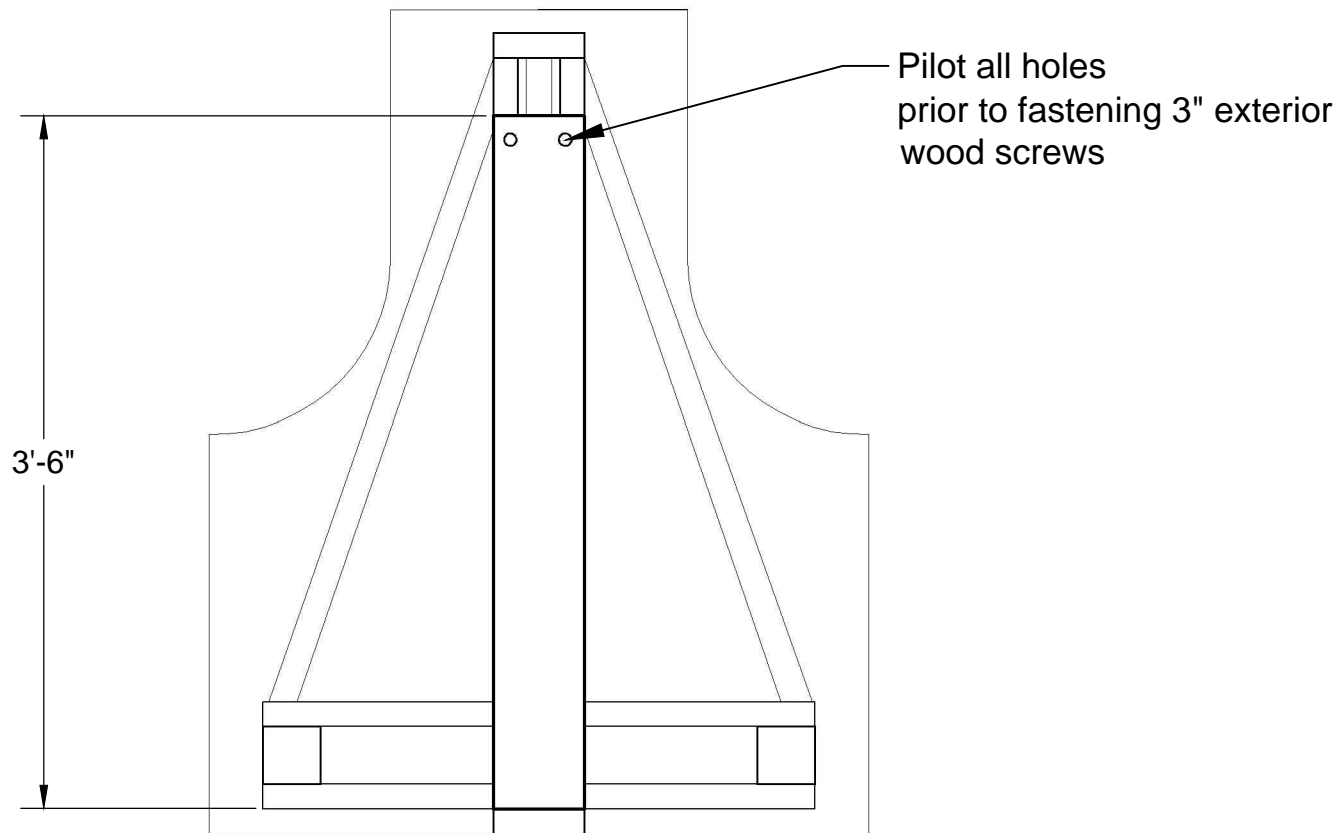
Scale: NTS

Version: 3

Page :13 of 16



	Philmont Scout Ranch	Title: Top	
	<h2>Rifle Range Sighting Bench</h2>		
Drawn by: Timothy Freeman		Wood: SPF	
Date: 4/10/2013	Scale: NTS	Version: 3	Page :14 of 16



Philmont Scout Ranch

Title: Bottom

Rifle Range Sighting Bench

Drawn by: Timothy Freeman

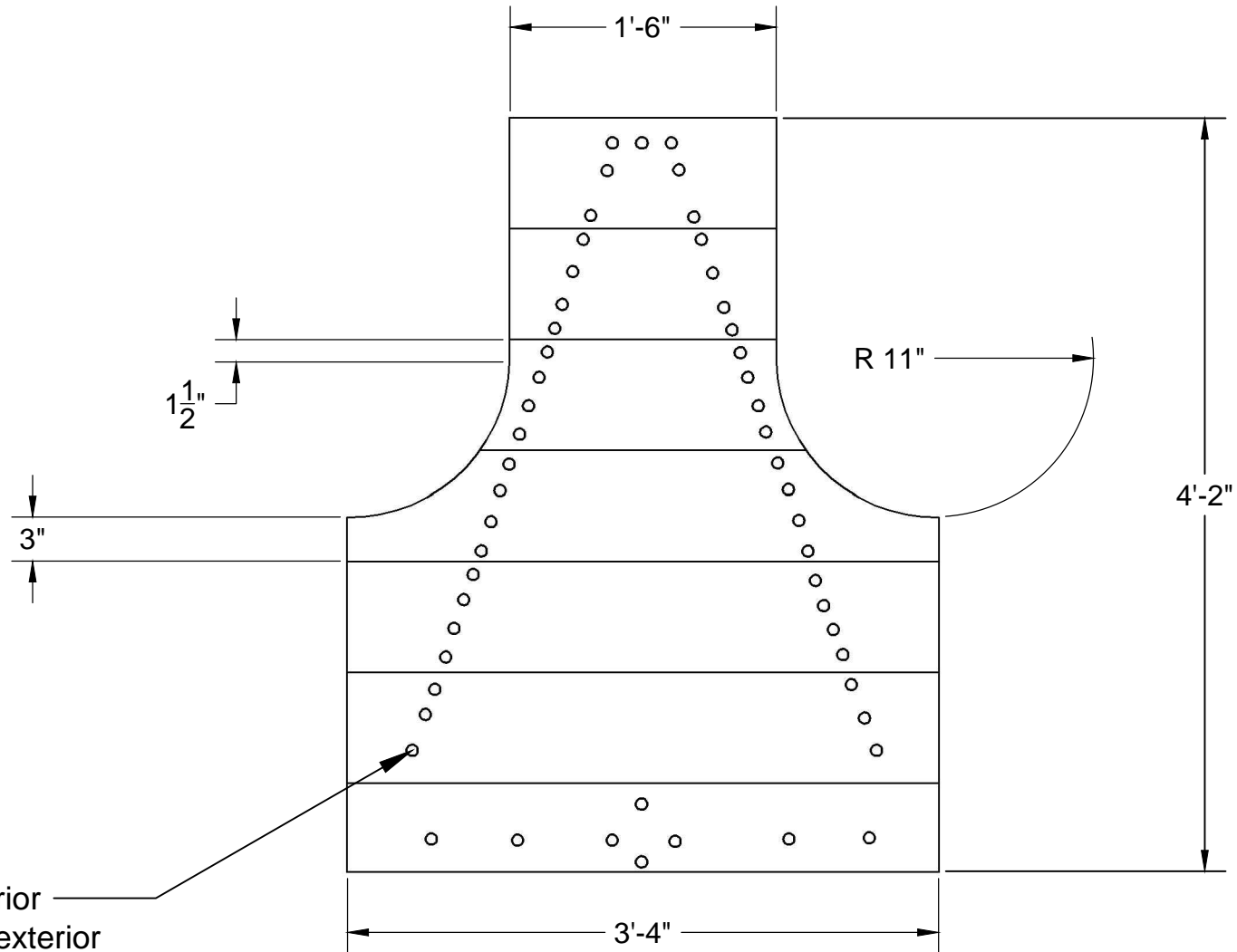
Wood: SPF


Date: 4/10/2013

Scale: NTS

Version: 3

Page :15 of 16



	Philmont Scout Ranch	Title: Table Top	
	Rifle Range Sighting Bench		
Drawn by: Timothy Freeman		Wood: SPF	
Date: 4/10/2013	Scale: NTS	Version: 3	Page :16 of 16